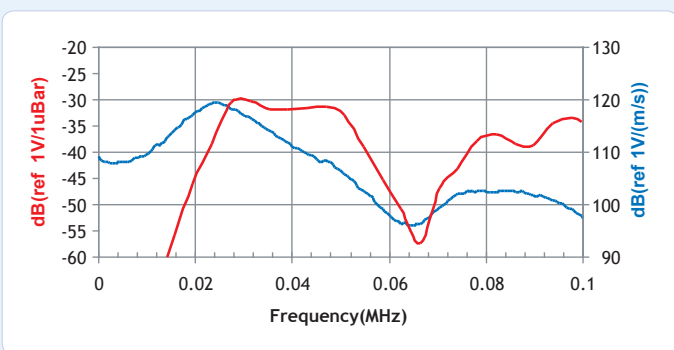
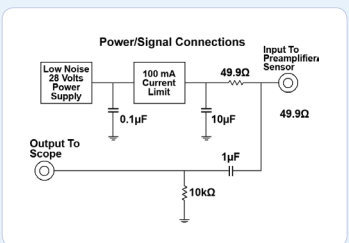
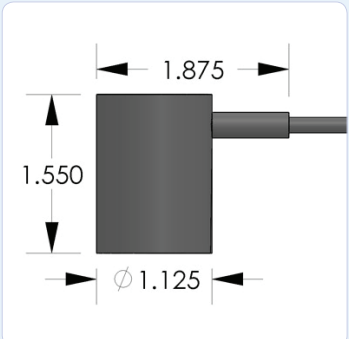


PRODUCT DATA SHEET

R3I-AST Sensor

Integral Preamplifier Sensor



DESCRIPTION AND FEATURES

PAC's integral preamp sensors were specifically engineered to attain high sensitivity and have the capability to drive long cables without the need for a separate preamplifier. Incorporating a low-noise input, 40 dB preamplifier and a filter all inside the sensor housing, these transducers are completely enclosed in metal stainless steel (or aluminum) housings that are treated to minimize RFI/EMI interference. Care has also been taken to thermally isolate the critical input stage of the preamplifier in order to provide excellent temperature stability over the range of -35° to 75° C.

Their integrated Auto Sensor Test (AST*) capability allows these sensors to pulse as well as receive. This feature lets you verify the sensor coupling and performance at any time throughout the test.

APPLICATIONS

Due to its high sensitivity and low resonant frequency properties, this sensor can be used for applications such as metal and FRP structures including pipelines or storage tanks in petroleum, refineries, chemical plants, and offshore platforms.

OPERATING SPECIFICATIONS

Dynamic

Peak Sensitivity, Ref V/(m/s).....	120 dB
Peak Sensitivity, Ref V/µbar.....	-28 dB
Operating Frequency Range.....	10-40 kHz
Resonant Frequency, Ref V/(m/s).....	25 kHz
Resonant Frequency, Ref V/µbar.....	31 kHz
Directionality.....	+/-1.5 dB

Environmental

Temperature Range.....	-35 to 75°C
Shock Limit.....	500 g
Completely enclosed crystal for RFI/EMI immunity	

Physical

Dimensions.....	1.13"OD X 1.54"H
	29 mm OD X 39 mm H
Weight.....	147 grams with 1m cable
Case Material.....	Stainless Steel (304)
Face Material.....	Ceramic
Connector.....	BNC
Connector Locations.....	Side

Electrical

Gain.....	40 dB
Power Requirements.....	20-30 VDC @ 25 mA
Dynamic Range.....	> 87 dB
Noise Level (RMS RTI).....	< 3 µV
Output Drive Impedance.....	50 Ω
Grounding.....	Case Grounding,
 Isolated from mounting surface

ORDERING INFORMATION AND ACCESSORIES

R3I-AST.....	R3I-AST
Cable (specify length in '-XX' m at end of PN).....	1234 - X
Magnetic Hold-Down.....	MHR3I
Amplifier Subsystem.....	AE2A

Sensors include

NIST Calibration Certificate & Warranty

* AST — Auto Sensor Testing feature allows AE systems to control the sensor as a pulser and a receiver at the same time. It can therefore characterize its own condition as well as send out a simulated acoustic emission wave that other sensors can detect, so the condition of the nearby sensors also can be tested.



WORLDWIDE HEADQUARTERS:
195 Clarksville Rd •
Princeton Jct, NJ 08550 • USA
T: +1.609.716.4000 • F: +1.609.716.0706
E-MAIL: sales.systems@mistrasgroup.com

CANADA T: +1.403.556.1350
CHINA T: +86.10.5877.3631
FRANCE T: +331.498.26040
GERMANY T: +49.040.2000.4025
GREECE T: +30.210.2846.801-4

HOLLAND T: +31.010.245.0325
INDIA T: +91.22.2586.2444
JAPAN T: +81.33.498.3570
MALAYSIA T: +60.9.517.3788
MIDDLE EAST T: +973.17.729.356

RUSSIA T: +7495.789.4549
SCANDINAVIA T: +46(0)31.252040
S. AMERICA T: +55.11.3082.5111
UK T: +44(0)1954.231.612